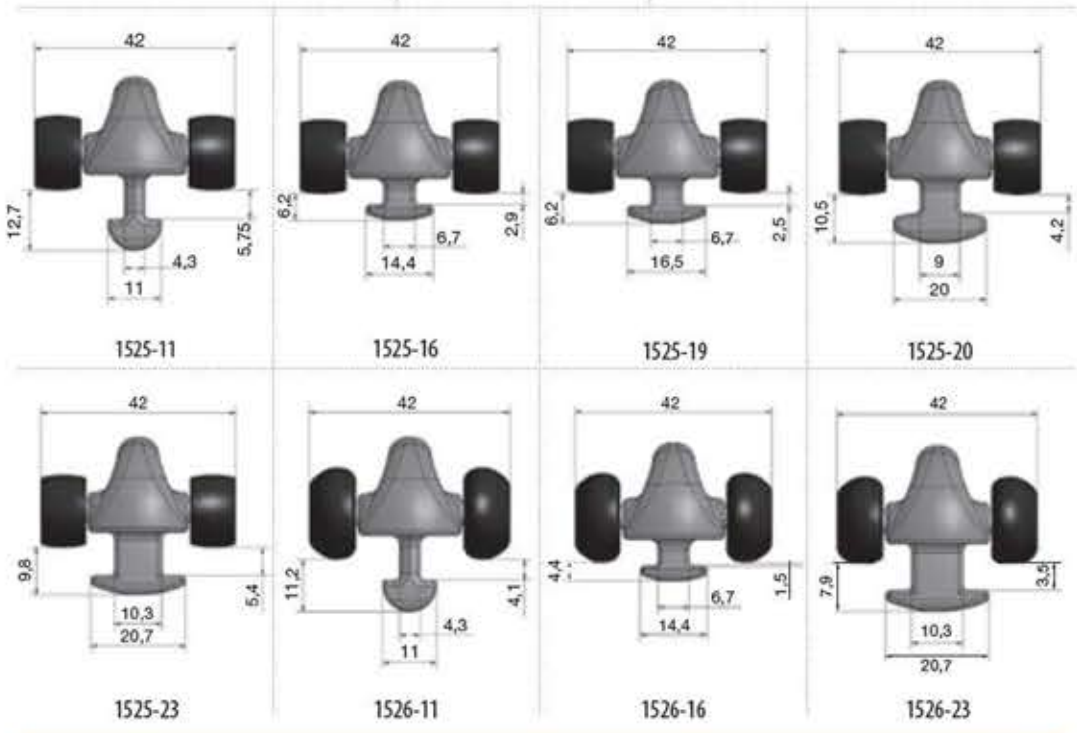


## PRESSURE ABSORBING SLIDES



Part no	Product description	Wheel Ø [mm]	Recommended fitting	Packed per
<b>PRESSURE ABSORBING SLIDES</b>				
1525-11	Pressure absorbing slide 11mm	15,5	1490, 1490G or Webbing	10
1525-16	Pressure absorbing slide 16mm	15,5	1490, 1490G or Webbing	10
1525-19	Pressure absorbing slide 19mm	15,5	1490, 1490G or Webbing	10
1525-20	Pressure absorbing slide 20mm	15,5	1490, 1490G or Webbing	10
1525-23	Pressure absorbing slide 23mm	15,5	1490, 1490G or Webbing	10
1526-11	Pressure absorbing slide 11mm (big wheels)	19,5	1490, 1490G or Webbing	10
1526-16	Pressure absorbing slide 16mm (big wheels)	19,5	1490, 1490G or Webbing	10
1526-23	Pressure absorbing slide 23mm (big wheels)	19,5	1490, 1490G or Webbing	10

General tolerances for all dimensions equals  $\pm 0,5$  mm

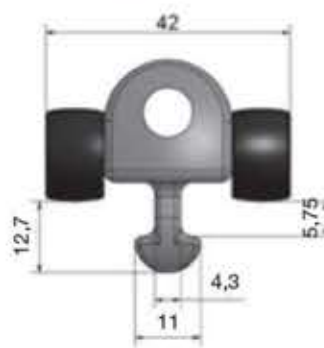
## BATTCARS

The Rutgeron Battcar solution has proven to be a winner for sailors on all oceans and in all environments. Available for a wide variety of mast applications, this fullbatten car makes the mainsail safer and simpler to handle and trim whilst sailing by requiring minimum maintenance, and is easy to hoist and lower. All Rutgeron Battcars have a tolerance of 0,5mm.

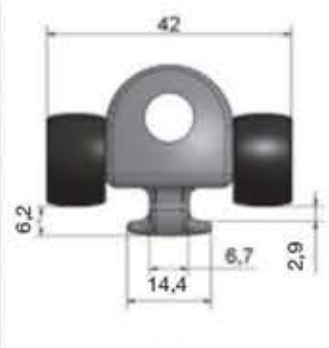
### Battcar general dimensions



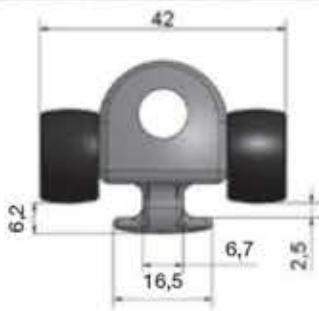
The Battcar tester 1530 is a very useful tool to determine which battcar model that fits the boat-owner's mast. It consists of a fan with different testers that includes all the dimensions for the Rutgeron Battcar System



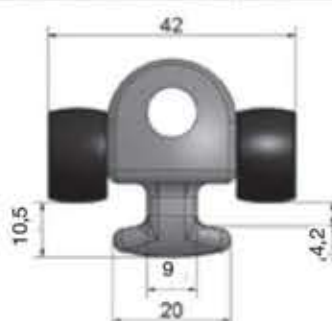
Body  
1530-11-XX & 1535-11-XX



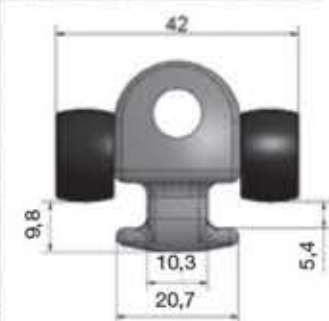
Body  
1530-16-XX



Body  
1530-19-XX



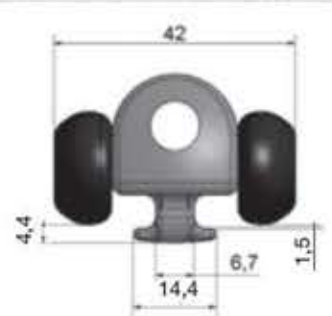
Body  
1530-20-XX & 1535-20-XX



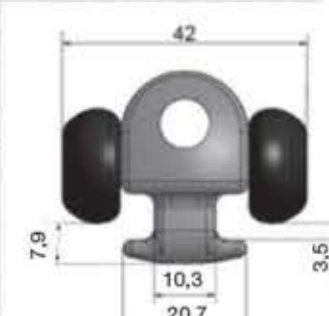
Body  
1530-23-XX & 1535-23-XX



Body  
1531-11-XX & 1536-11-XX



Body  
1531-16-XX & 1536-16-XX



Body  
1531-23-XX & 1536-23-XX